

JFA1708 MICRO AXIAL FAN

FEATURES

17 x 17 x 8mm (0.67 x 0.67 x 0.31in) 3.3-5V, axially grooved bearing micro fan. Featuring 0.74-1.00CFM, IP57 Dust/Moisture Protection. RoHS Compliant

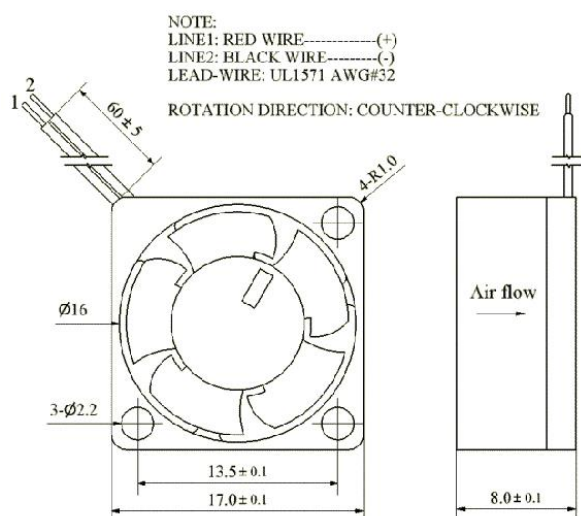


APPLICATIONS

A premium cooling solution for pico projector、MID、UMPC、smartbook、CCTV、Portable GPS、(vehicle) HUD and so on; also applicable to fuel delivery of micro fuel cell、air delivery of portable Gas / particulate detector、or to defrosting and ventilating of Mask / Goggle / Helmet.

DIMENSIONS

(size:mm)



Dimensions and Specifications are subject to change without notice, please refer to the actual product.

SPECIFICATIONS

Model Number	JFA1708	
Product Name	Atomic Cooler	
Bearing	Nano-Technology Bearing	
Rated Voltage (VDC)	3.3	5.0
Operating Voltage (VDC)	2.8 ~ 3.6	4.5~5.5
Rated Current (mA)	60	90
Rotation Speed (RPM)	12,000 ± 20%	16,000 ± 20%
Air Flow (CFM)	0.74	1.0
Static Pressure (mmAq)	2.40	4.28
Noise (dB(A))	15	23
Life Expectancy (hours)	20000@45°C	

JFA1708 P-Q CURVE

