

JFB1804 Micro Blower.

FEATURES

18 x 18 x 4mm (0.70 x 0.70 x 0.16in), 3.3-5.0V, Axially grooved micro blower.

Offering **0.14CFM to 0.20 CFM**, IP57 Dust/Moisture Protection and RoHS compliant

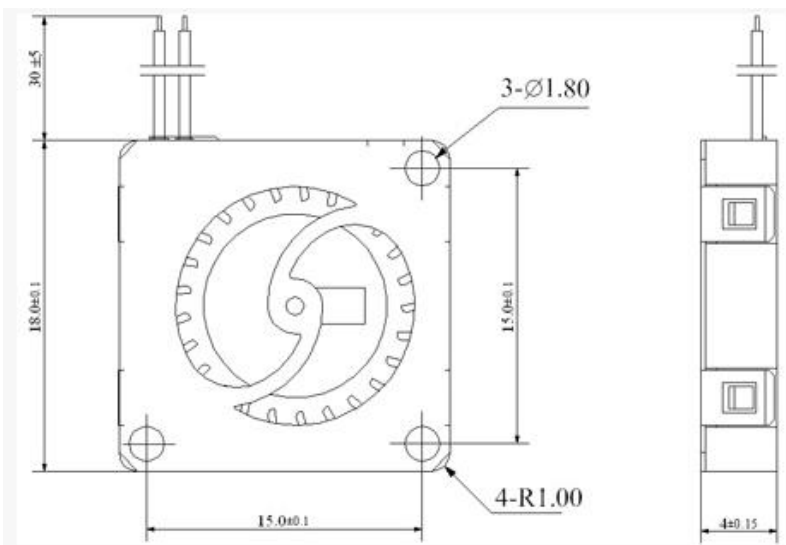


APPLICATIONS

The atomic cooler provides a premium electronic cooling solution for video processing chipset, high-speed memory module, high-end smart phone, PDA , CCTV, mini projector, MID, Smartbook and so on; and is also applicable to defrosting and ventilation of goggles or sunglasses, and fuel delivery of small fuel cell.

DIMENSIONS

(size:mm)



Dimensions and Specifications are subject to change without notice, please refer to the actual product.

SPECIFICATIONS

Model Number	JFB1804	
Product Name	Atomic Blower	
Rated Voltage	3.3	5.0
Rated Current (mA)	35	50
Rated Speed (RPM)	9,000	13,000
Air Flow (CFM)	0.14	0.2
Static Pressure (mmAq)	2.44	5.16
Weight (g)	1.7	1.7

