

# JFA1804 Micro Fan

## FEATURES

18 x 18 x 4mm (0.70 x 0.70 x 0.16in) 3.3-5V,

axially grooved bearing micro fan. Airflow: **0.65CFM-0.90CFM**, IP57 Dust/Moisture Protection. RoHS Compliant

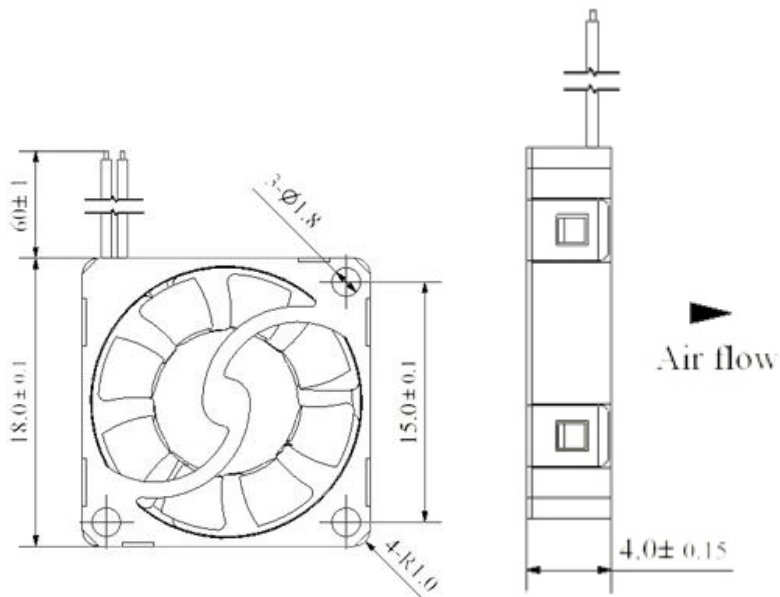


## APPLICATIONS

The atomic cooler provides a premium electronic cooling solution for video processing chipset, high-speed memory module, high-end smart phone, PDA, CCTV, mini projector, MID, Smartbook and so on; and is also applicable to defrosting and ventilation of goggles or sunglasses, and fuel delivery of small fuel cell.

## DIMENSIONS

(size:mm)



Dimensions and Specifications are subject to change without notice, please refer to the actual

product.

## SPECIFICATIONS

Specifications	
Bearing System	Axially Grooved
Speed	8500-13000 rpm
Airflow	0.65-0.90 cfm
Pressure (P)	1.95-3.5 mmAq 0.07-0.14 inches H <sub>2</sub> O
Noise	25-35 dBA
Lead Wires(L)	UL (+) Red; (-) Black
Current	32-45 mAmp
Life Expectancy	20,000 hours
Voltage	3.3-5.0 V

